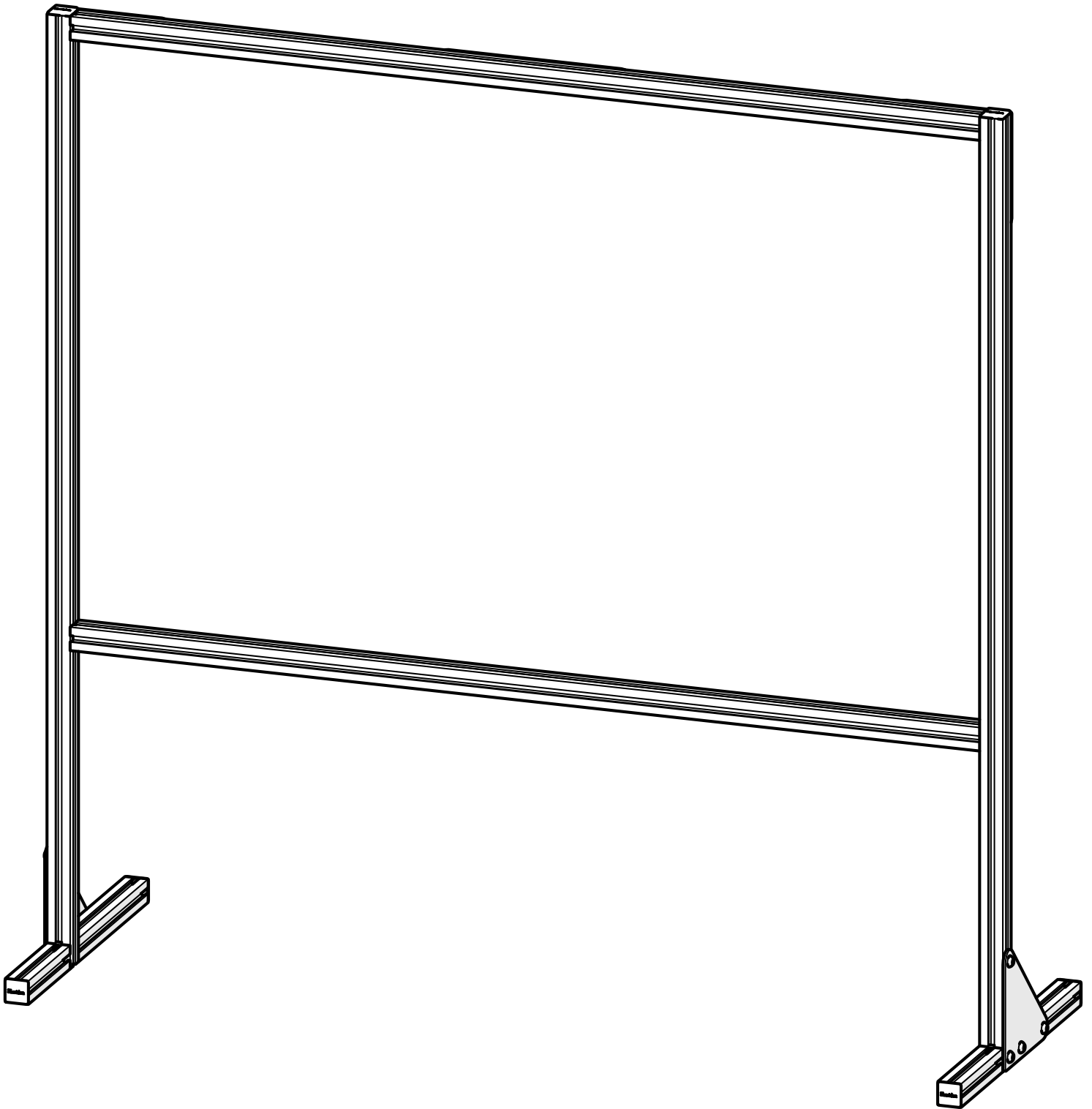


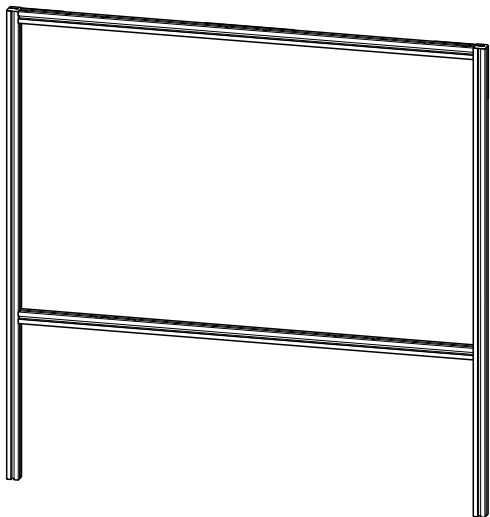
POS Shield 2

Large pass-through design



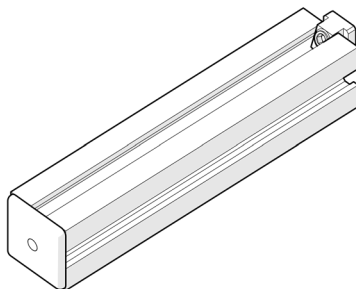
Your POS Shield kit will include the following:

Part 1



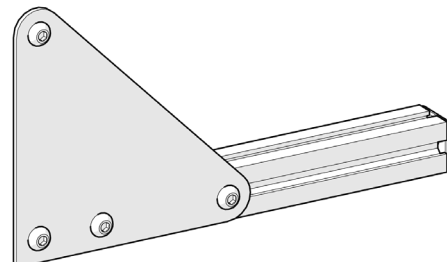
1X

Part 2



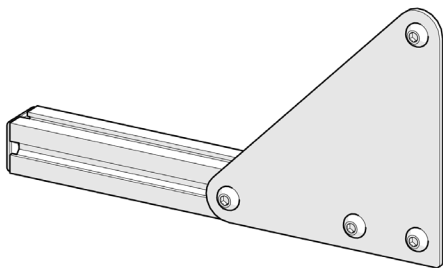
2X
(Optional)

Part 3



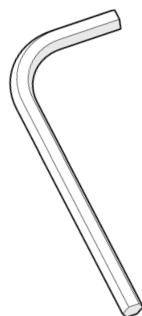
1X

Part 4



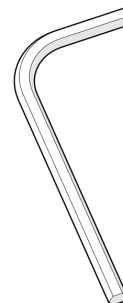
1X

5mm Allen key



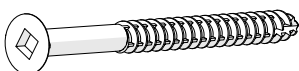
1X

4mm Allen key



1X

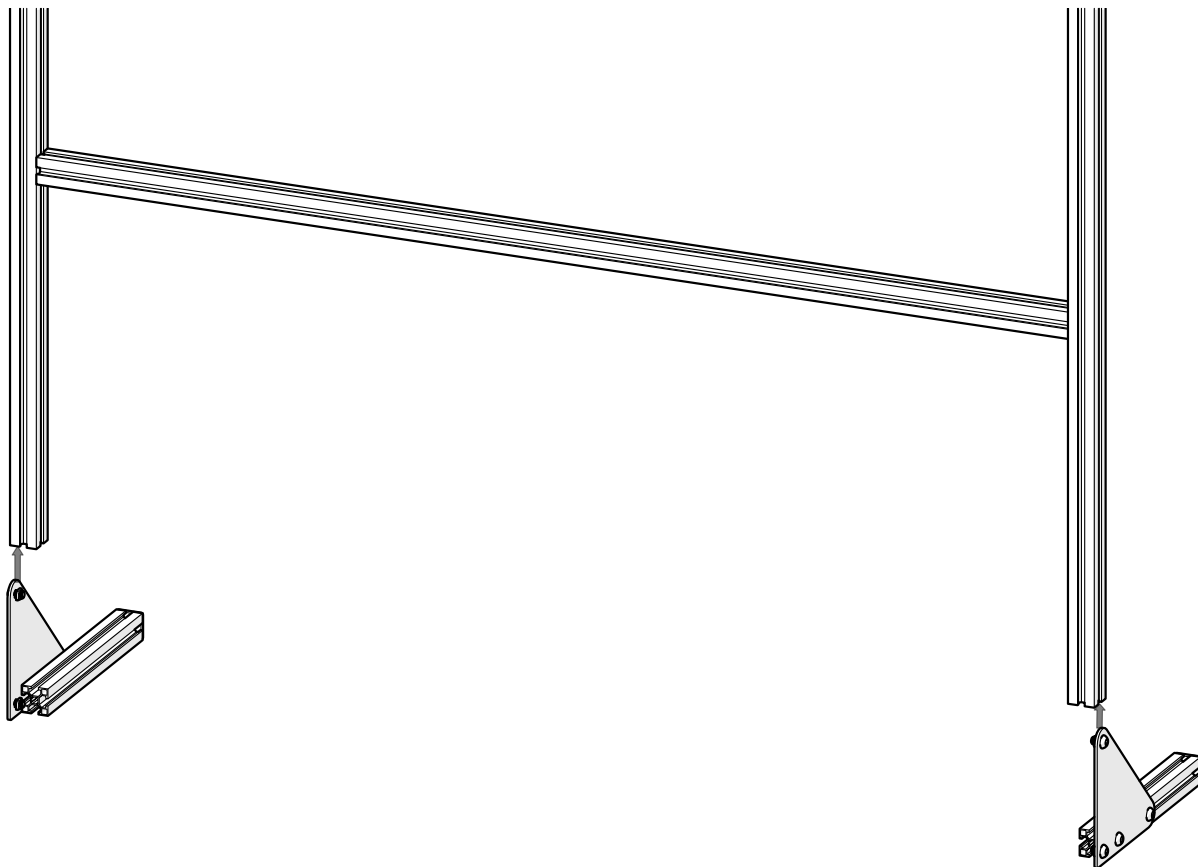
Mounting screws



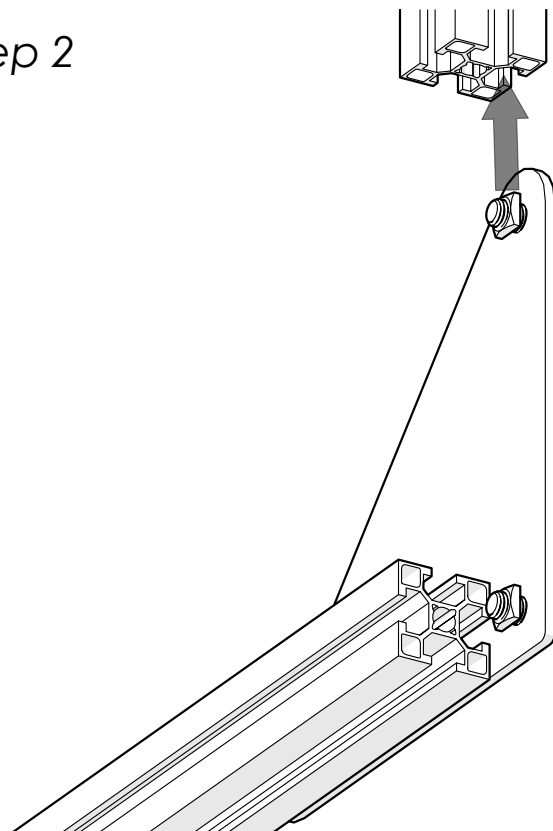
4X

(Optional)

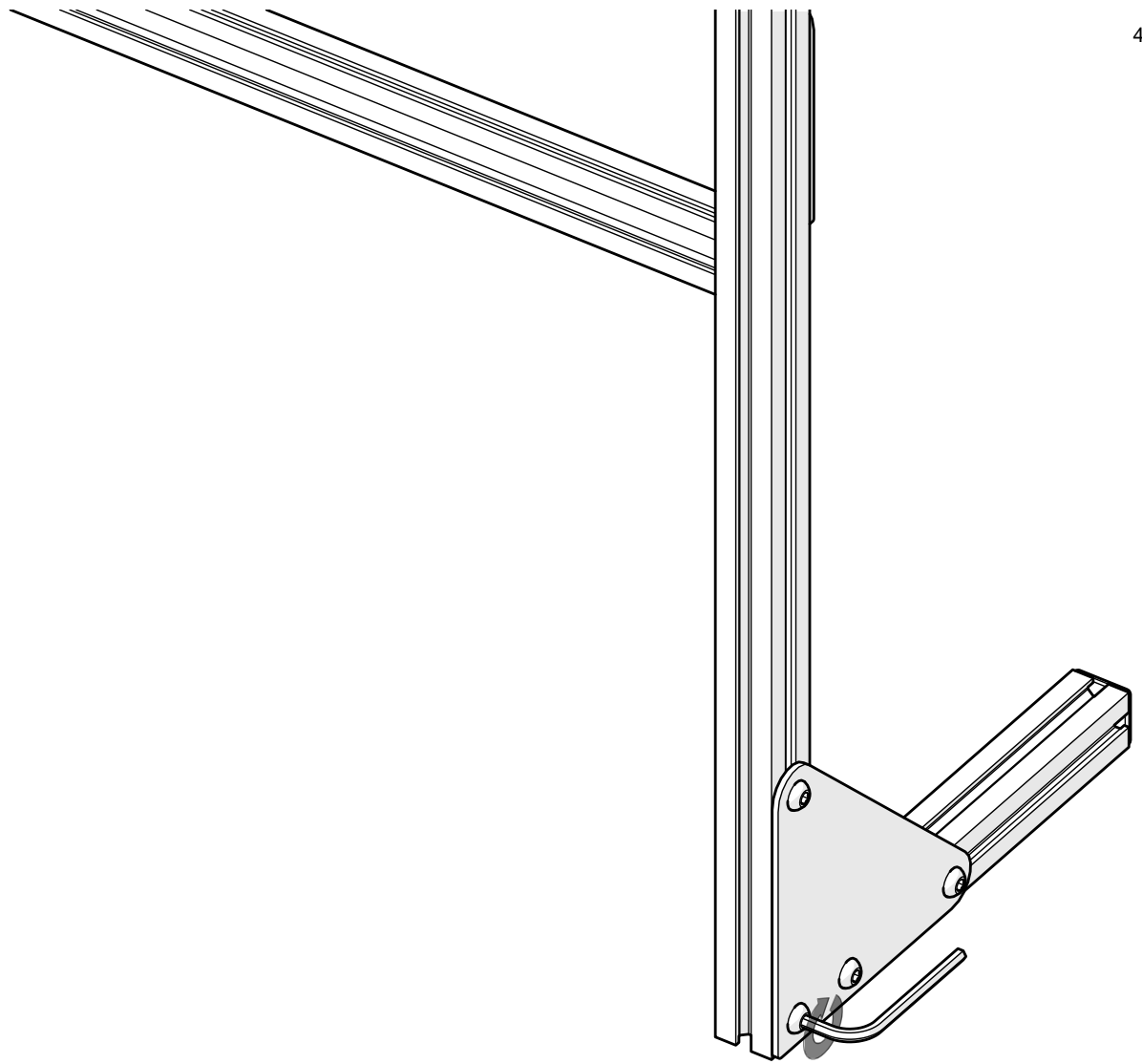
Step 1



Step 2



Slide the legs (**Parts 3 & 4**) into the slot until they are flush with the bottom of **Part 1**.

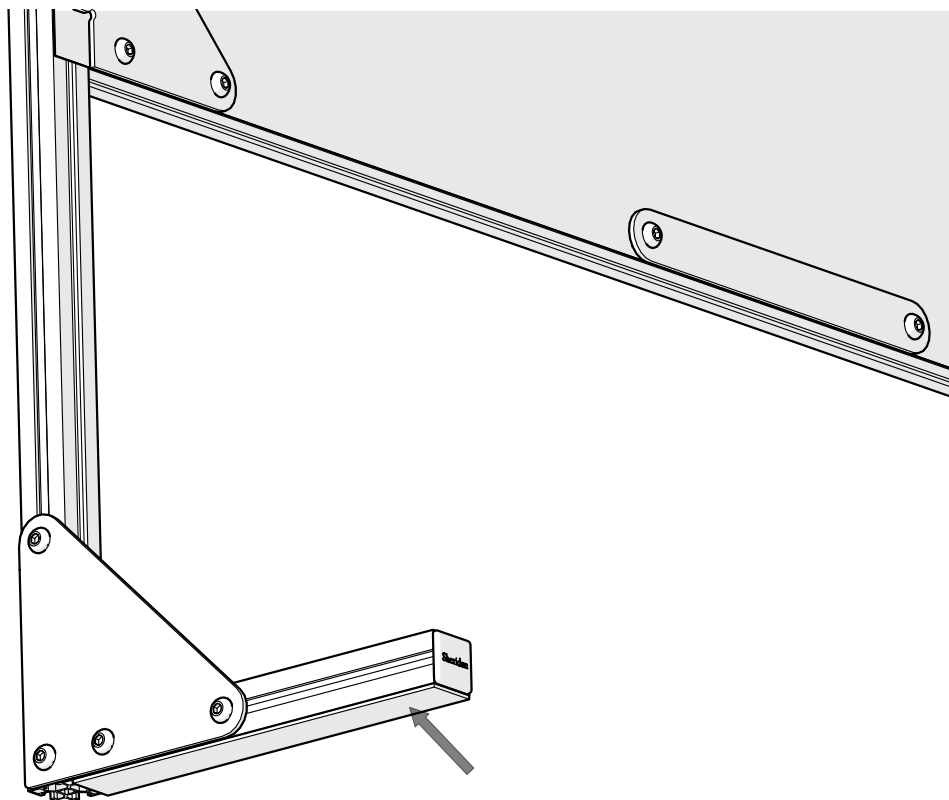


Use the **5 mm Allen key** provided to secure the legs in place as shown.

Mounting options:

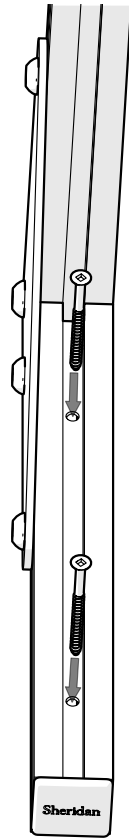
- 1- Double-sided tape
- 2- Mounting screws
- 3- Free standing

Option 1 (***Double-sided tape***)



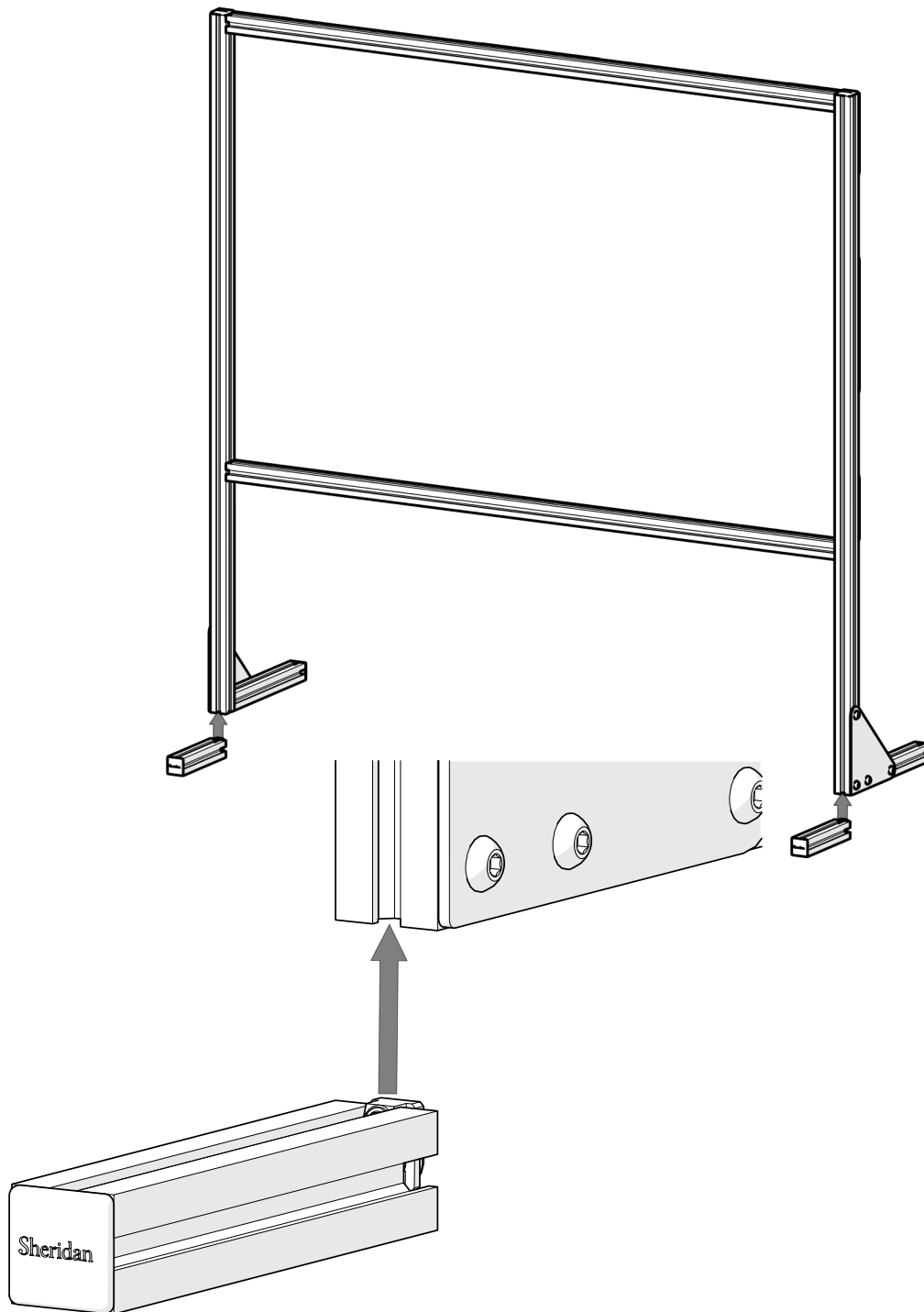
Peel off the mounting tape film on the bottom of the leg.
After wiping the surface of your counter, place the shield on
the counter while applying pressure to the legs.

Option 2 (**Mounting screws**)



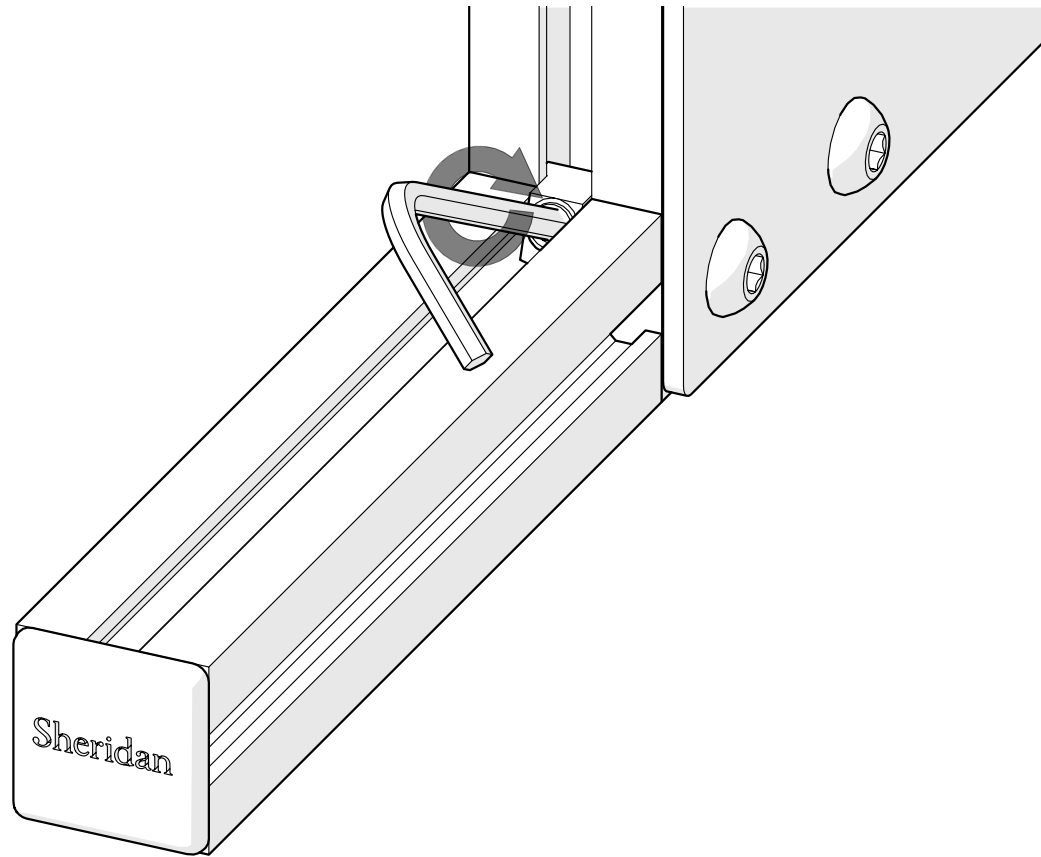
On the back of the shield use the **Mounting screws** provided to secure the shield to your counter.

Option 3 (*Optional front legs*)



Slide both front legs through the slot in the front of the shield.

Option 3 (*Optional front legs*)



Use the **4 mm Allen key** provided in your kit to secure the front legs in place.